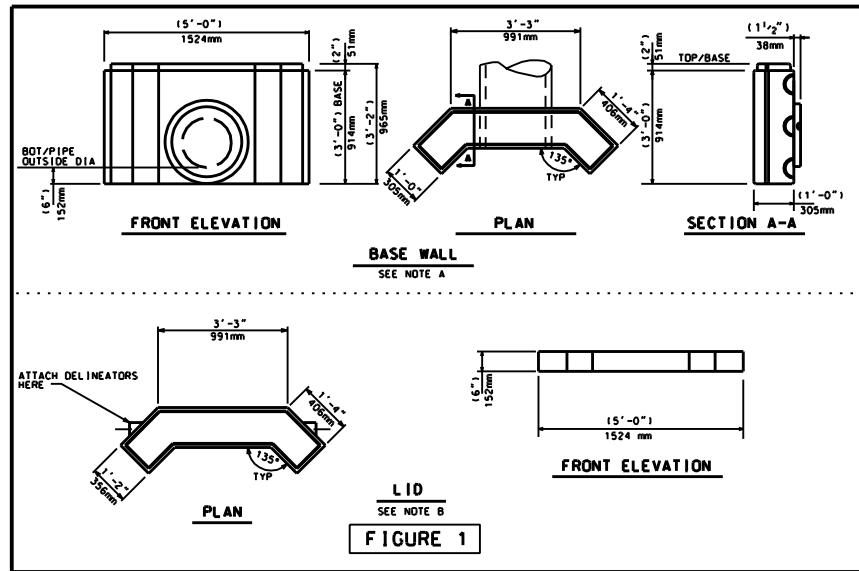
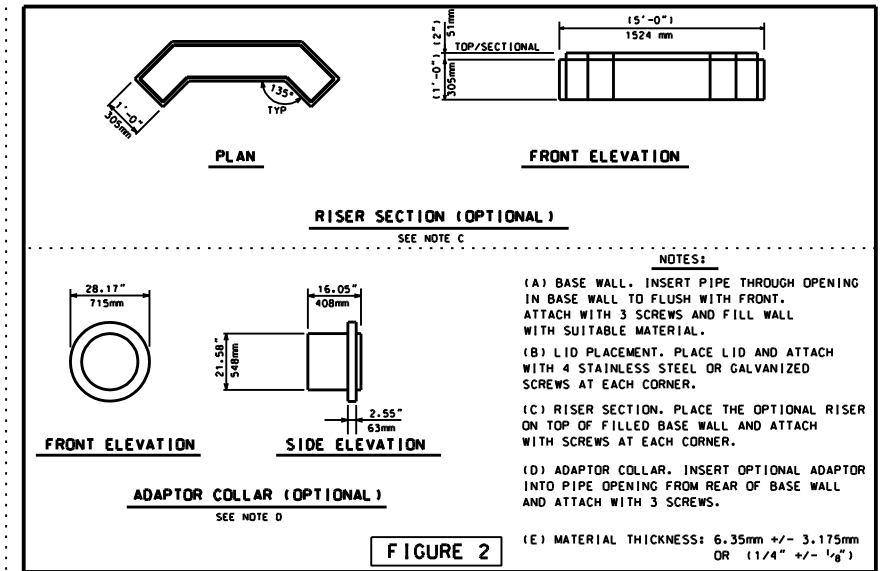


# ASTM SPEC



**FIGURE 1**



**FIGURE 2**